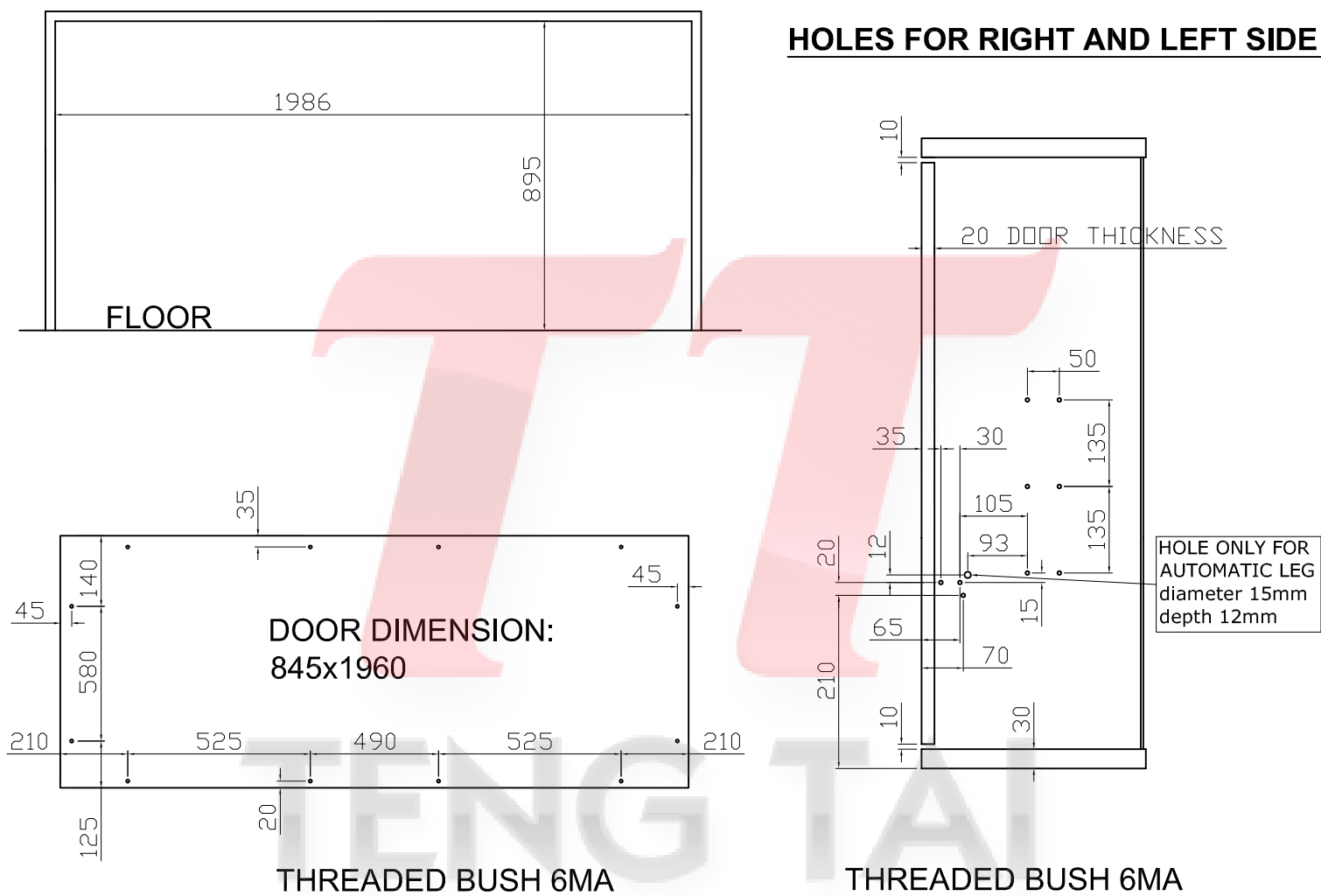


CLICK-O LIFT 820x1920

POZZOLI LIFT 單人側掀床緩衝五金+上昇書桌組孔位圖



EXAMPLE:
 METAL BASE DIMENSION: 820x1920
 BASAMENT HEIGHT 30mm
 (HEIGHT MAX 30mm)

DEPTH CABINET:
THICKNESS DOOR + 280mm +
THICKNESS BACK PANEL

CABINET DIMENSIONS:
 INTERNAL WIDE 1986mm
 HEIGHT FROM THE FLOOR 895mm

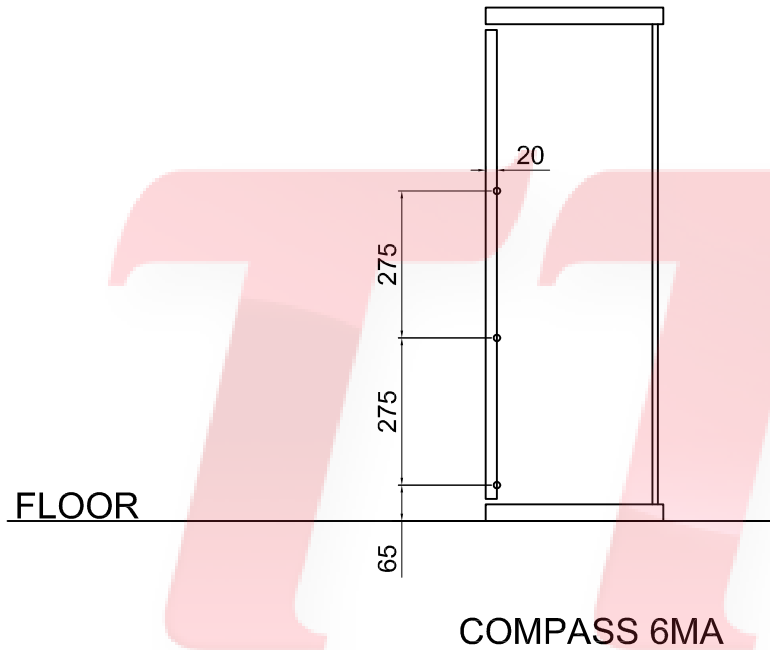
FRONT PANEL + MATTRESS
WEIGHT 40 Kg
HEIGHT MATTRESS 180mm

		DATA
CLIENTE	ARTICOLA	HOLES CLICK LIFT 820x1920

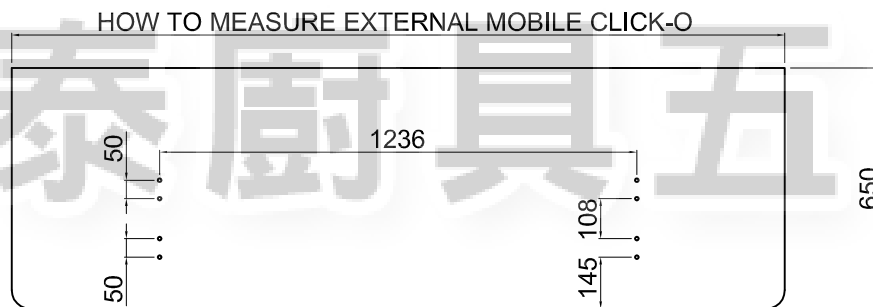
ART. LIFT

POZZOLI LIFT 單人側掀緩衝五金+上掀書桌組 孔位圖

HOLES FOR RIGHT AND LEFT SIDE



HOLES FOR DESK TOP FOR ORTHOPAEDIC BASE

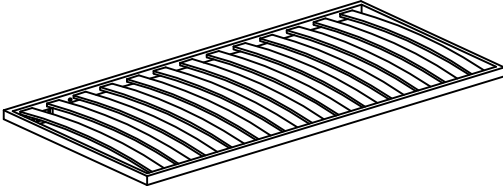
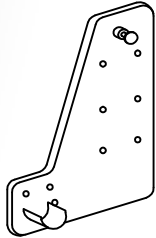
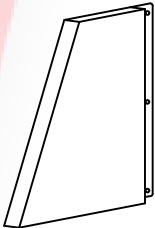
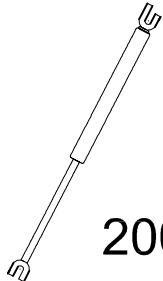
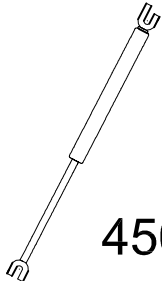
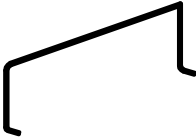
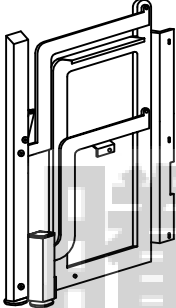
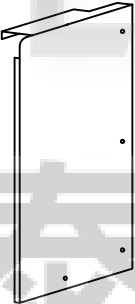
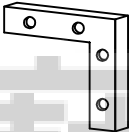


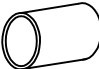
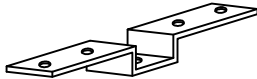
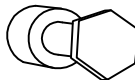


COMPASS 6MA

POZZOLI		DATA
CLIENTE	ARTICOLO	HOLES LIFT

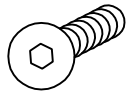
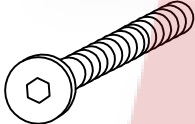
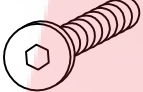
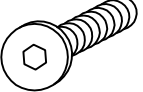
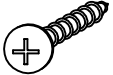
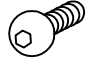
ART. CLICK LIFT POZZOLI LIFT 單人側掀床緩衝五金+上昇書桌組配件圖

MATERIALE FORNITO - MATERIALS PROVIDED

<p>A</p> <p>· 1 x</p> 	<p>B</p> <p>· 2 x</p> 	<p>C</p> <p>· 2 x</p> 	<p>D</p> <p>· 2 x</p>  <p>200 N</p>	<p>E</p> <p>· 2 x</p>  <p>450 N</p>
<p>F</p> <p>· 2 x</p> 	<p>G</p> <p>· 2 x</p> 	<p>H</p> <p>· 2 x</p> 	<p>L</p> <p>· 2 x</p> 	<p>M</p> <p>· 1 x</p> 
<p>O</p> <p>· 1 x</p> 	<p>P</p> <p>· 2 x</p>  <p>Ø16x25</p>	<p>Q</p> <p>· 2 x</p> 	<p>R</p> <p>· 2 x</p> 	

ART. CLICK LIFT POZZOLI LIFT 單人側掀緩衝五金+上掀書桌組 配件圖

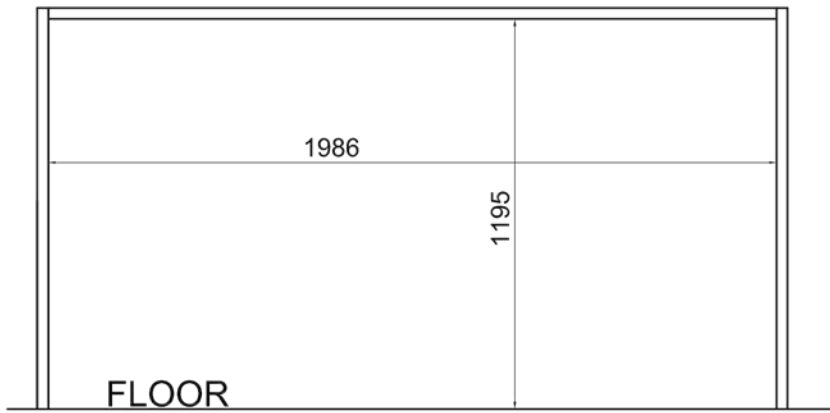
MATERIALE FORNITO - MATERIALS PROVIDED

S · 32 x  TPS 6x15	T · 12 x  TP 6x50	U · 8 x  TP 6x30	V · 16 x  TP 6x20
Z · 6 x  4x20	W · 2 x  TB 4x12		

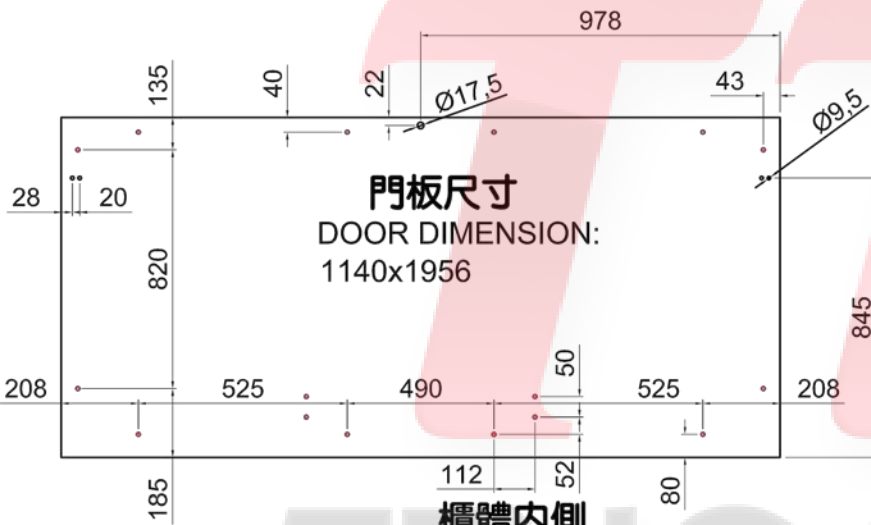
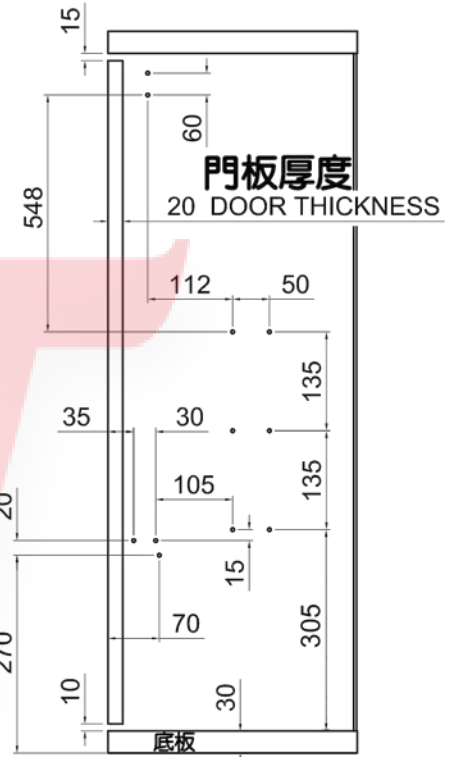
TENG TAI

騰泰廚具五金

POZZOLI TANDEM 單人側掀緩衝五金+下翻書桌組 1060X1920



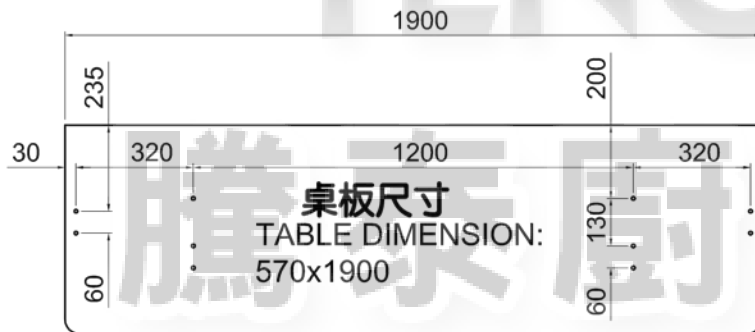
左右兩側五金孔位圖
HOLE SIDE RIGHT AND LEFT



櫃體內側

• THREADED BUSH 6MA

THREADED BUSH 6MA



THREADED BUSH 6MA

CABINET DIMENSION :
櫃體內側寬度：1986mm
頂板內側距地面高度：
1195mm

底板厚度：30mm
門板厚度：20mm
門板尺寸：1140x1956mm
排骨床架尺寸：
1060x1920mm
櫃內最小深度：
門板厚+背板厚+300mm

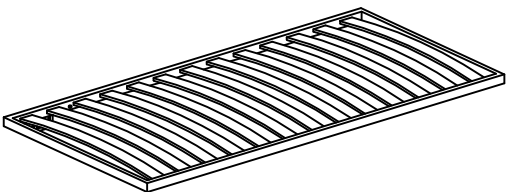
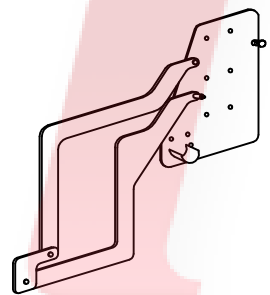
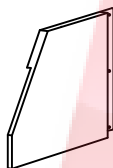
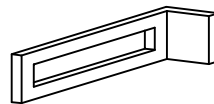
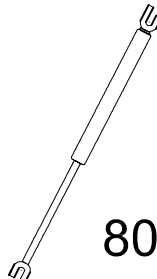
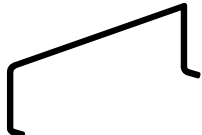
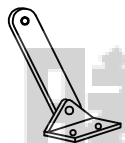
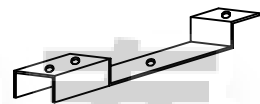



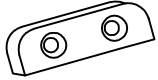
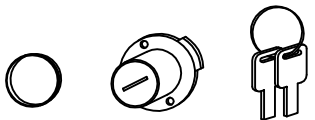
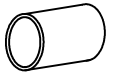
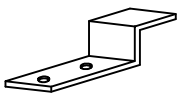

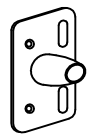
桌板尺寸：570x1900x25mm
桌板重量：15KG
床墊+床板重量：45KG
床墊厚度：180mm
最大負重：150KG

POZZOLI		DATA
CLIENTE	ARTICOLO	FORATURA TANDEM 1060x1920

ART. TANDEM

POZZOLI TANDEM 單人側掀緩衝五金+下翻書桌組配件

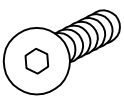
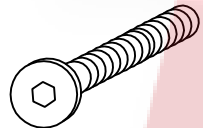
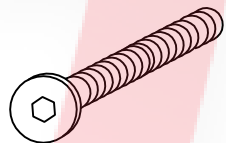
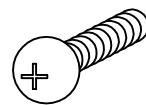
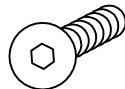
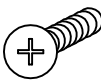
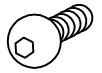
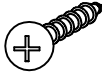

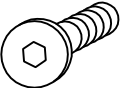
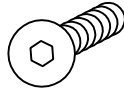

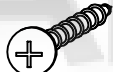
MATERIALE FORNITO - MATERIALS PROVIDED

A · 1 x 	B · 2 x 	C · 2 x 	D · 2 x 	E · 2 x  800 N	
F · 2 x 	G · 2 x 	H · 2 x 	L · 2 x 	M · 1 x 	N · 1 x 
O · 2 x 	P · 1 x 	Q · 2 x  Ø16x25	R · 2 x 	S · 4 x 	T · 2 x 

ART. TANDEM

POZZOLI TANDEM 單人側掀緩衝五金+下翻書桌組配件

MATERIALE FORNITO - MATERIALS PROVIDED

U · 16 x  TPS 6x15	V · 12 x  TP 6x50	Z · 4 x  TP 6x60	X · 8 x  TB 6x15	
K · 4 x  TPS 6x20	Y · 4 x  TPS 5x15	W · 10 x  TB 5x10	AA · 4 x  4x16	BB · 2 x  6x18 metal
CC · 10 x  TP 6x20	DD · 4 x  TPS 6x30	EE · 2 x  2,5x20	FF · 4 x  4x20	

騰泰廚具五金