

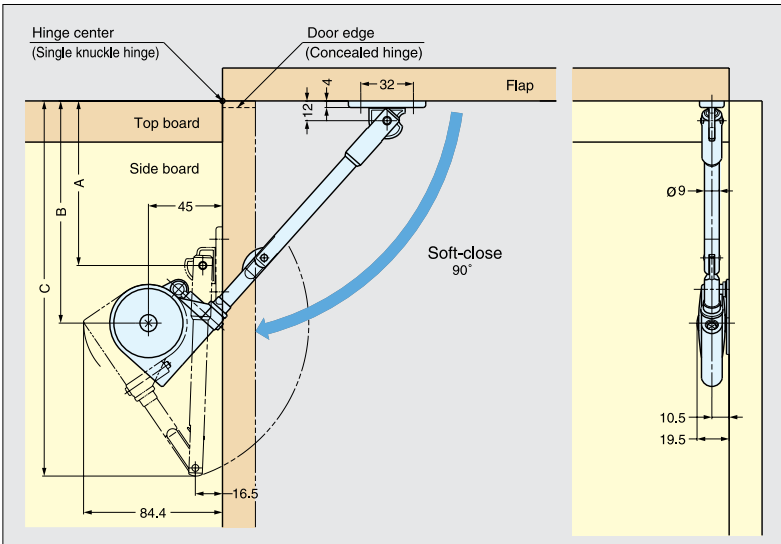
SOFT-DOWN STAY



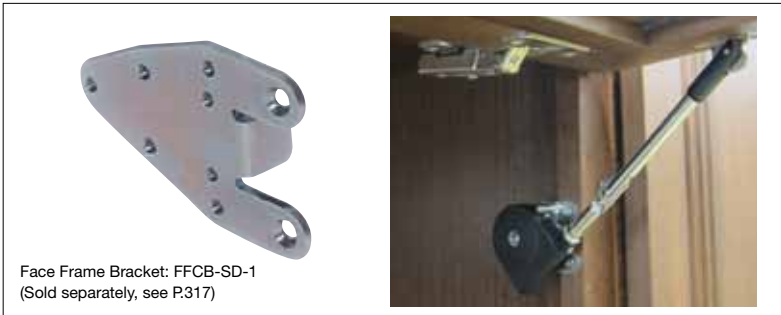
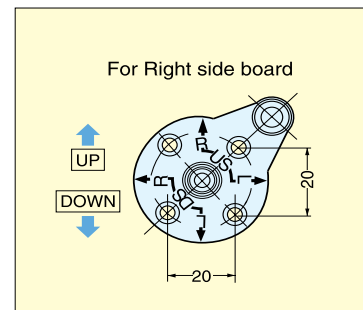
SDS-C301N



- For UPWARD-OPENING FLAP DOOR with concealed, piano or butt hinges.
- SDS-C301N is designed to hold door in closed and opened position.
- Non-handed.
- Torque Calculation:
Torque = Door Height x 1/2 x Door Weight
Per Piece: 40~70 kg·cm (35~60 lbs·inch)
Per Pair: 80~140 kg·cm (70~120 lbs·inch)
- Recommended Door Thickness : 20 mm (25/32")



Mounting Plate SDS-A (Included)



Hinge Type	Coverage	A	B	C
Concealed Hinge	Full overlay (3/4")	108 (4-1/4")	143 (5-5/8")	232 (9-9/64")
Single Knuckle Hinge	Overlay	100 (3-15/16")	135 (5-5/16")	223 (8-25/32")
	Inset	97 (3-13/16")	132 (5-13/64")	220 (8-21/32")

Item No.	Color	Weight (g)	Box (pcs)	Carton (pcs)
SDS-C301N/WHT	White	165	20	100
SDS-C301N/BLK	Black			

Material	Finish/Color
Steel, Zinc Alloy	Nickel
Plastic	Black, White

SOFT-DOWN STAY



SDS-C301N

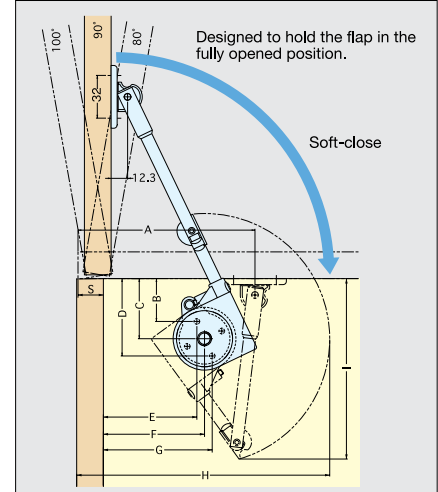
LID SUPPORTS

SOFT-DOWN STAY

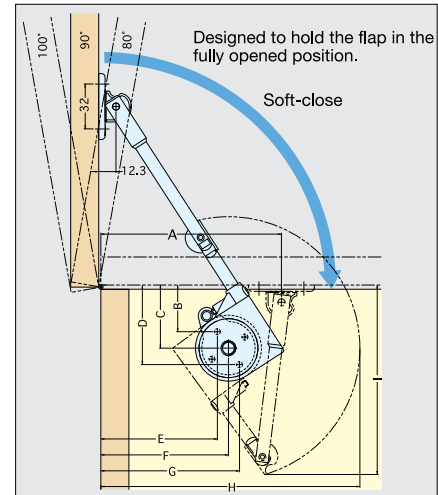


- For TOP-OPENING FLAP DOOR with concealed, piano or butt hinges.
- Designed to hold door in fully opened position.
- Non-handed.
- Available in black or white.

With Concealed Hinge



With Single Knuckle Hinge



Concealed Hinge

Opening angle	A	B	C	D	E	F	G	H	S=Overlay Coverage	
									I	
80°	141	31.9	45	58.1	98.2-S	103.5-S	108.8-S	197.5	134.8	
90°	132.5	32.3		57.7	88.7-S	95 -S	101.3-S	189		
100°	126.5	32.9		57.1	81.2-S	88.5-S	95.8-S	182.5		

Single Knuckle Hinge/Overlay Type

Opening angle	A	B	C	D	E	F	G	H	S=Overlay Coverage	
									I	
80°	138.5	32.6	45	57.4	94.1	101	107.9	195	134.8	
90°	128.5	33.2		56.8	83.1	91	98.9	185		
100°	121.5	33.9		56.1	75.2	84	92.8	178		

Single Knuckle Hinge/Inset Type

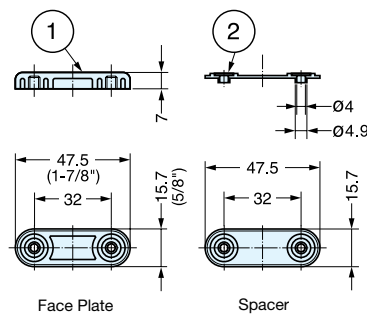
Opening angle	A	B	C	D	E	F	G	H	S=Overlay Coverage	
									I	
80°	129	31.7	45	58.3	86.7	91.5	96.3	185.5	134.8	
90°	118.5	32		58	75.3	81	86.7	175		
100°	111	32.5		57.5	67	73.5	80	167.5		

Material	Finish/Color
Steel, Zinc Alloy	Nickel
Plastic	Black, White

SDS FACE PLATE



SDS-50G



- Cover plate for glass door applications.
- To be used with SDS HDS, or NSDX soft-down stays.
- Screws and spacer included.

No.	Part Name	Material	Finish/Color
①	Face Plate	Zinc Alloy	Chrome (CR) Black (BLK)
②	Spacer	ABS	Black

Item No.	Weight (g)	Box	Carton
SDS-50G/BLK	25	100	400
SDS-50G/CR			