

HEAVY DUTY SOFT-DOWN STAY

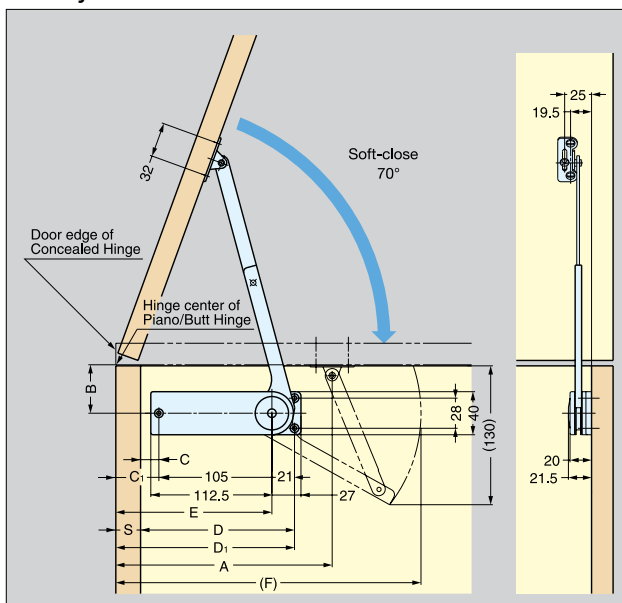


HDS-20



- For TOP-OPENING FLAP DOOR with piano, butt or concealed hinges.
- Used in pairs.
- HDS-20 is designed to hold door in fully opened position.
- Torque Calculation:
Torque = Door Height × 1/2 × Door Weight
- K-Type (Light Duty):
140~200 kg-cm (121~173 lbs-inch)/pair
- M-Type (Medium Duty):
200~250 kg-cm (173~216 lbs-inch)/pair
- H-Type (Heavy Duty):
250~300 kg-cm (216~260 lbs-inch)/pair

Overlay Use

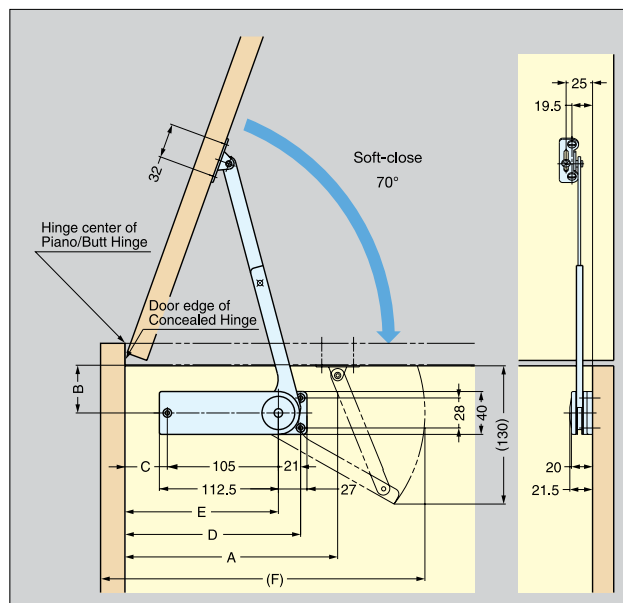


Overlay Use

Hinge Type	A	B	C	D	C ₁	D ₁	E	F
Concealed Hinge	198.5	45	42-S	168-S	-	-	145	283.5
Piano/Butt Hinge			-	-	41	167	142.5	281

S=Overlay coverage in case of concealed hinge (mm)

Inset Use



Inset Use

Hinge Type	A	B	C	D	E	F
Concealed Hinge	203	45	46	172	151	286
Piano/Butt Hinge	190		33	159	138	273

Item No.		Type	Torque (kg-cm/pair)	Weight (g)	Box (pcs)	Carton (pcs)
Left	Right					
HDS-20KL	HDS-20KR	Light Duty	140~200	280	40	200
HDS-20ML	HDS-20MR	Medium Duty	200~250	290		
HDS-20HL	HDS-20HR	Heavy Duty	250~300	300		

Material	Finish/Color
Steel	Nickel
Plastic	Black, White