

101825_06-09

smart case

Assembly instructions 安裝說明

Dear customer

Through the purchase of this smart case you decided for a quality product made by KNOKE Beschlagtechnik. Please accept our thanks for your confidence. Please make yourself familiar with the smart case and its accessories before you start the assembly.

This instruction describes the mounting and the handling of the KNOKE smart case. Please read through this manual carefully and follow all security advice before you start the workings.

Please keep this instruction ready to hand. In case of damages that occur through disregard of this manual and of the security advice the guarantee expires. We assume no liability for consequential damages that originate from this.

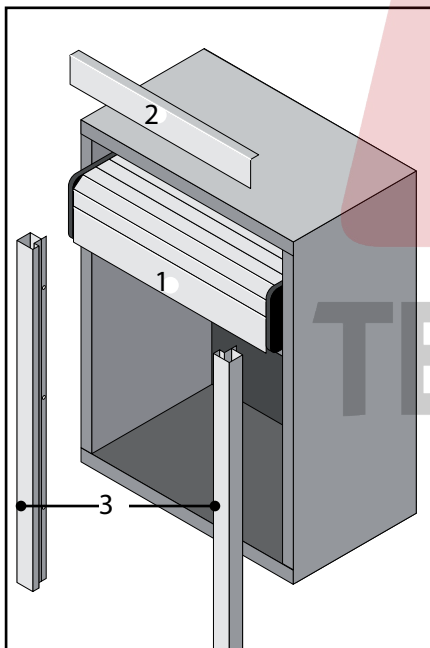


Important indications

After having unpacked the goods please compare the contents of the package with the specifications regarding the scope of delivery. If you note damages please contact your distributor.

貴客戶您好：
請詳細閱讀後，再開始安裝。
參考規格：
寬600 / 900 ; 高1400 mm
板厚19 mm ; 葉片寬25 mm

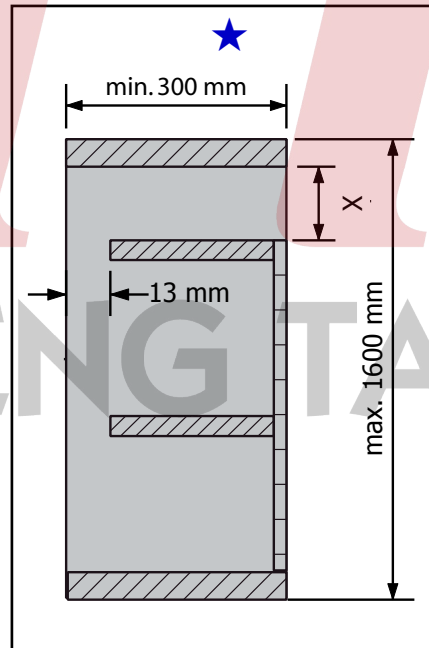
Contents 內容物



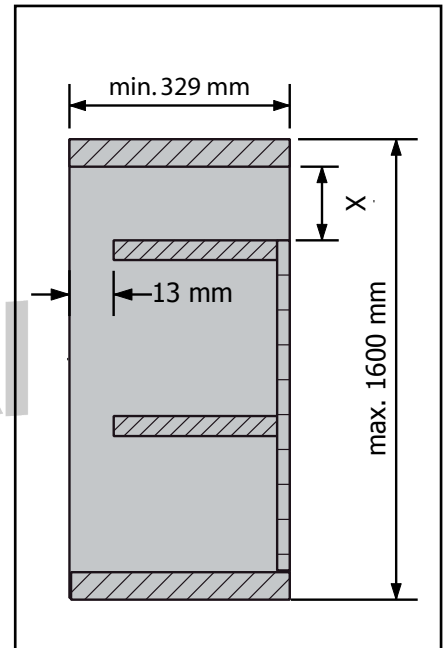
- 1 **1x** Roller shutter module
- 2 **1x** Aluminum cover profile
- 3 **1x** Aluminum guidance profile

1.百葉片 * 1捲
2.鋁護蓋 * 1片
3.鋁桿 * 2支

Cabinet dimensions (measurement in mm) 櫃子尺寸



25 mm slats 葉片寬25mm



50 mm slats

25 mm slats	X-height	X-height
Cabinet height	carcase size 16 mm	carcase size 19 mm ★
250-650 mm	103 mm	100 mm
651-1200 mm	123 mm	120 mm
1201-1600 mm ★	137 mm	134 mm X預留空間

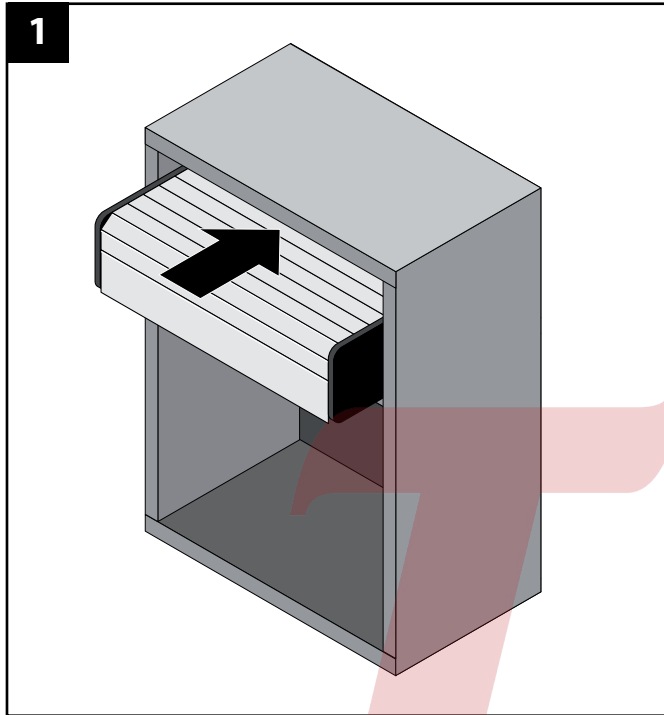
50 mm slats	X-height	X-height
Cabinet height	carcase size 16 mm	carcase size 19 mm
300-1600 mm	158 mm	155 mm

101825_06-09

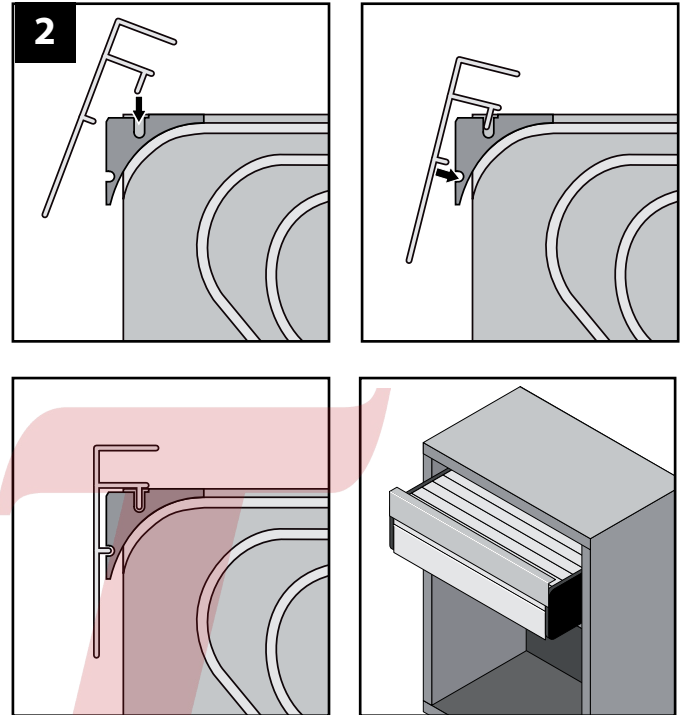
smart case

Assembly instructions

Attaching the cover profile

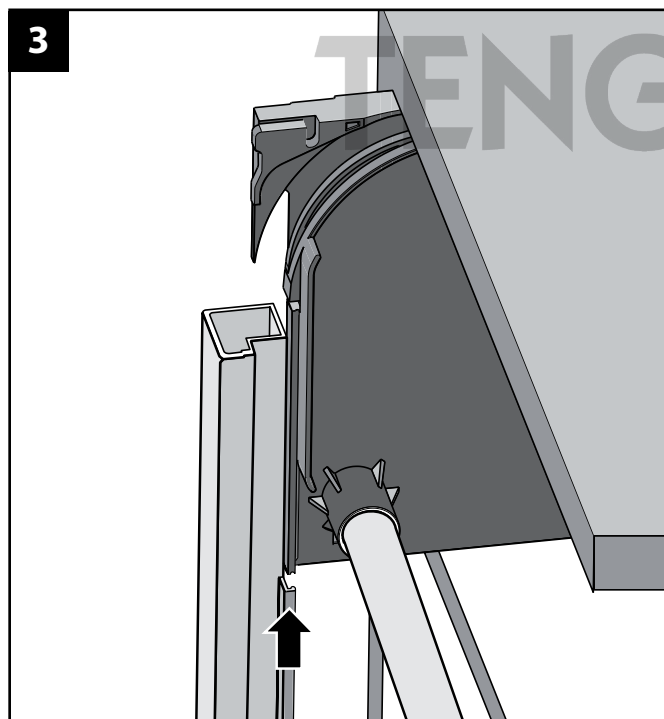


Push the smart case halfway into the cabinet
將百葉片放入櫃內約一半位置

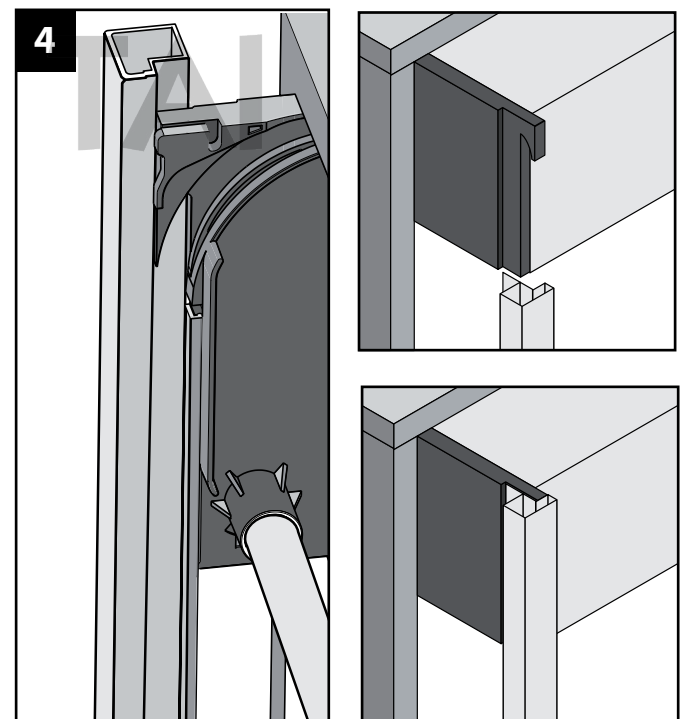


Clips the cover onto the plastic side parts of the unit
將鋁護蓋扣在百葉片上的塑膠件

Connecting the guidance profile with the module



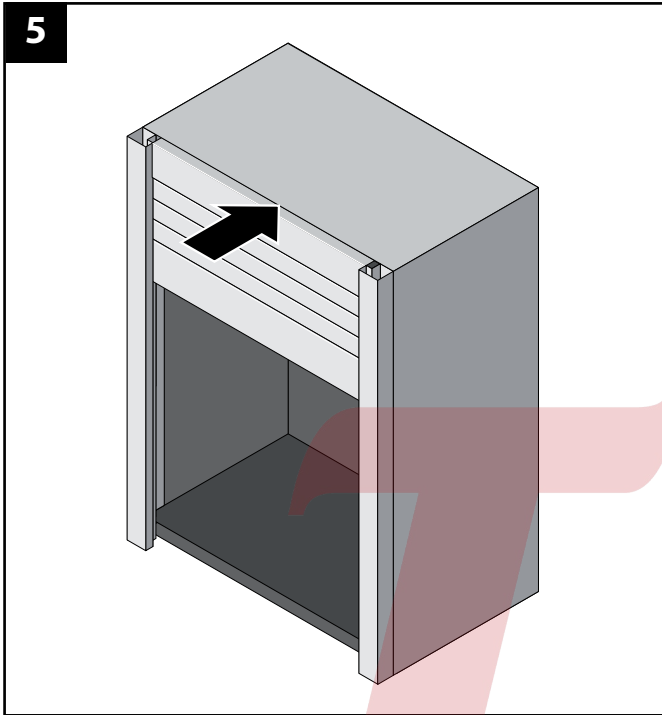
Apply the guidance profile onto the plastic side bracket
將兩支鋁桿由下往上與兩側塑膠件接合



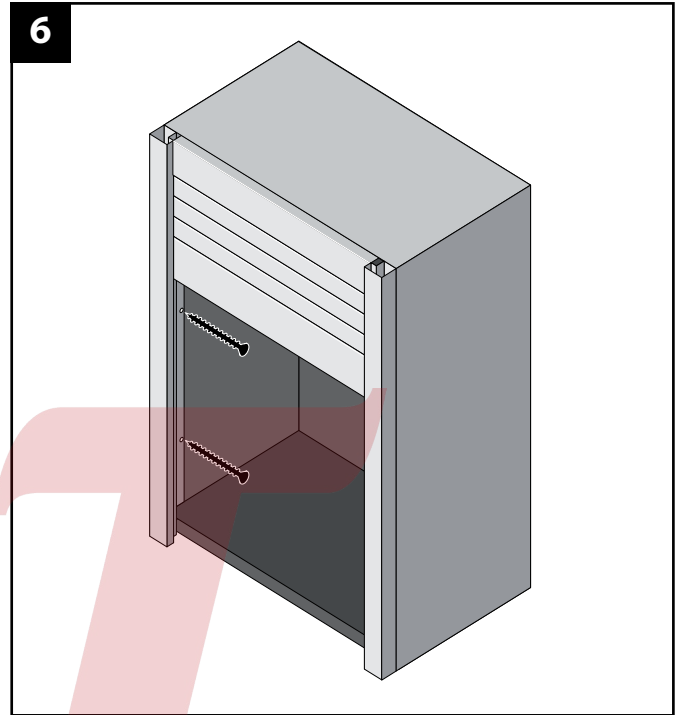
The shapes fit together

smart case

Assembly instructions



Push in the smart case entirely
將整捲百葉片完全推入櫃內



Screw on the guidance profiles
兩側各以兩支螺絲固定鋁桿

TENG TAI